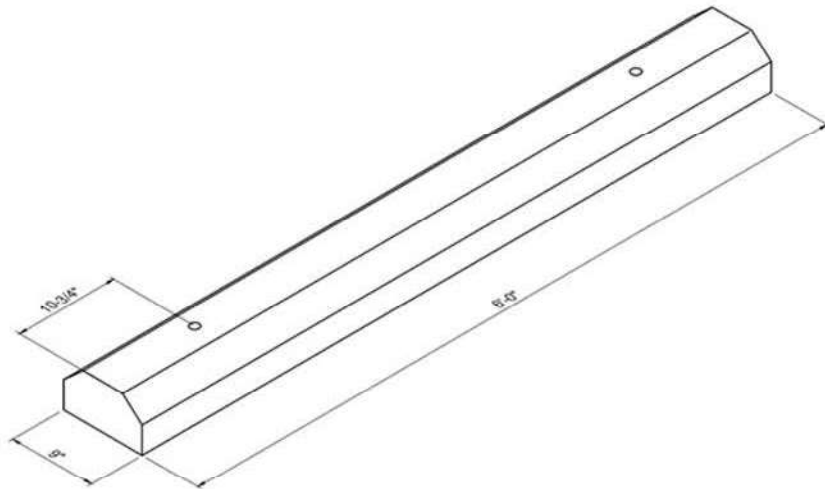




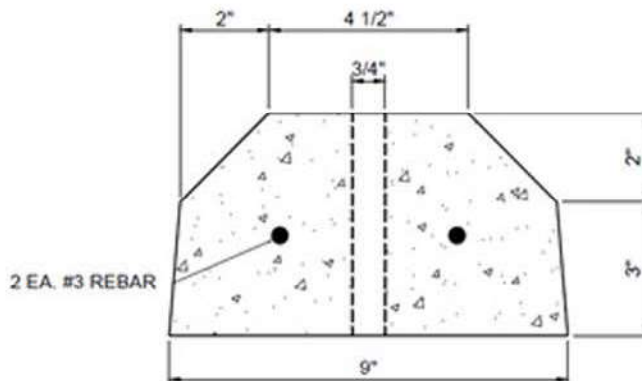
DWG:	PB-1
DATE:	09/18/2018
SCALE:	APPROX 3/4" = 1'

CDA Redi-Mix and Precast
6399 W. Bedrock Rd.
Post Falls, ID 83854
(208)762-0235

Parking Bumper (200 lbs.)



Isometric View



Sectional View

Notes: Grade 60 #3 size rebar
Fork pockets optional on bottom side