

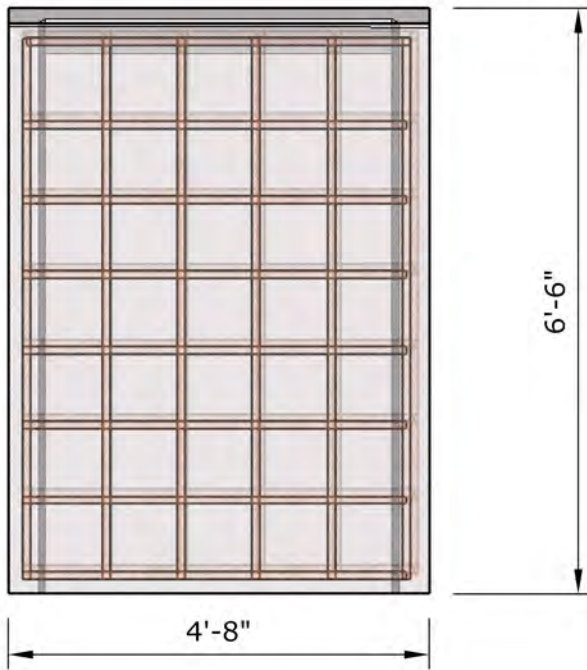


DWG:	Type-A-SWUD
DATE:	7/30/2019
SCALE:	NTS

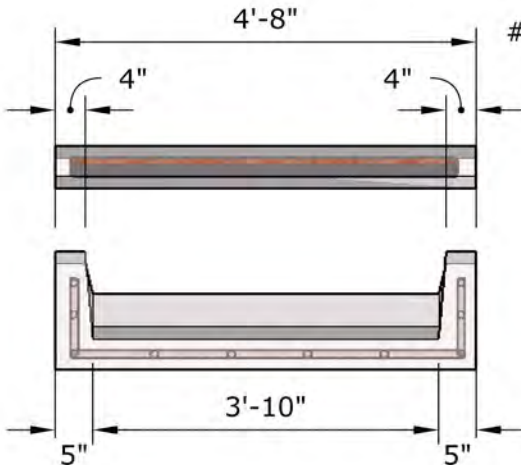
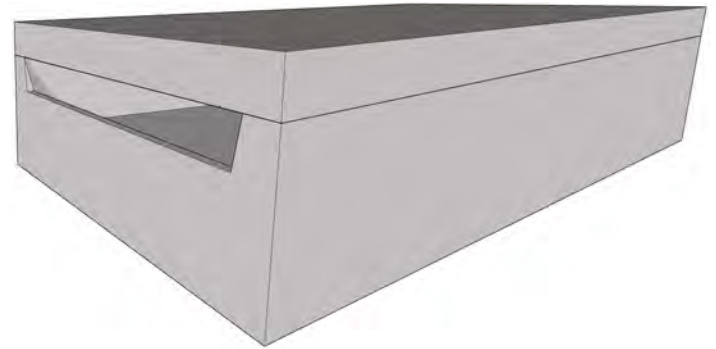
**CDA Redi Mix & Precast
Stateline Pit
6399 W. Bedrock Rd.
Post Falls, ID 83854
(208)762-0235**

Curb Inlet Type 2 or Type A Sidewalk Underdrain

MANUFACTURED IN ACCORDANCE WITH ASTM C-913

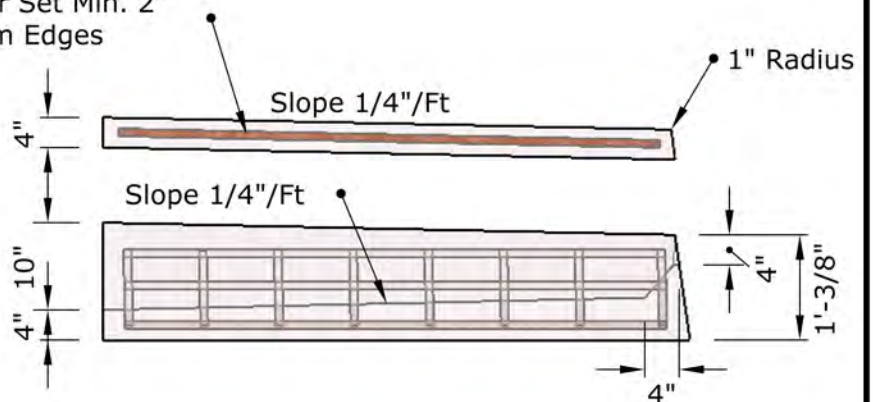


TOP



FRONT

#4 Rebar Set Min. 2"
From Edges



SIDE