

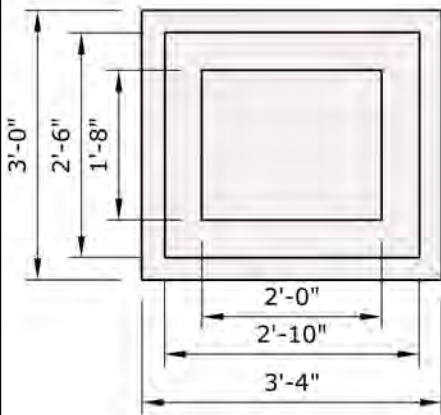


DWG:	CB-1L
DATE:	8/1/2019
SCALE:	NTS

**CDA Redi Mix & Precast
Stateline Pit
6399 W. Bedrock Rd.
Post Falls, ID 83854
(208)762-0235**

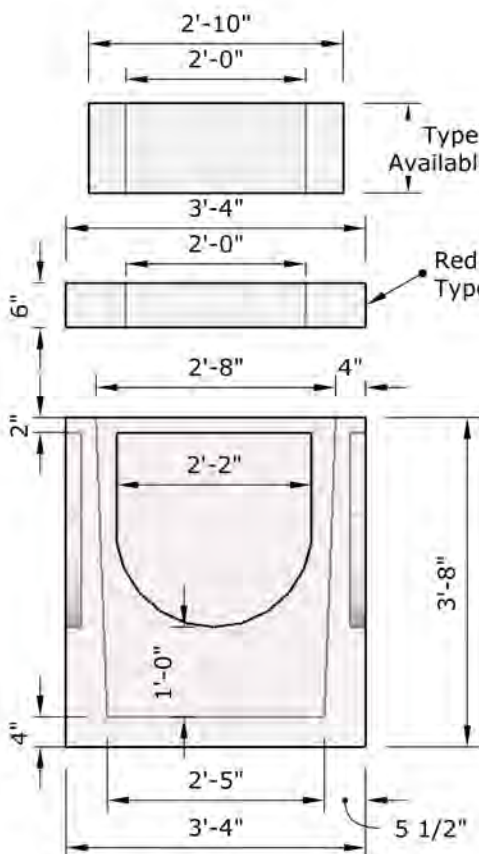
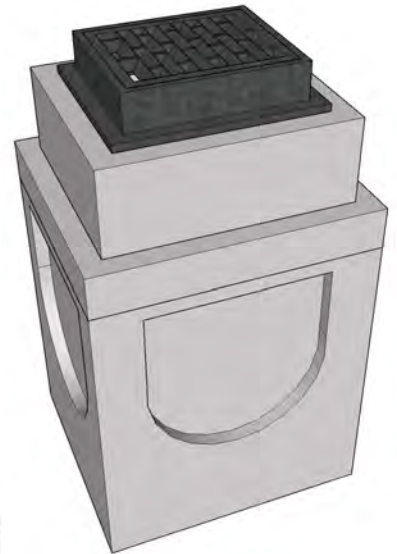
Catch Basin Type 1L

MANUFACTURED IN ACCORDANCE WITH ASTM C-913



TOP

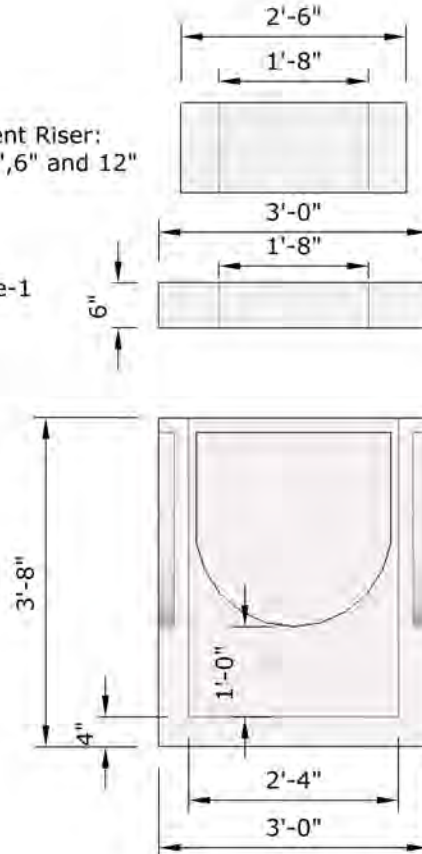
MULTIPLE GRATE OPTIONS AVAILABLE



FRONT

Type 1 Adjustment Riser:
Available in 2", 3", 4", 6" and 12"

Reducing Slab:
Type-1L to Type-1



SIDE