

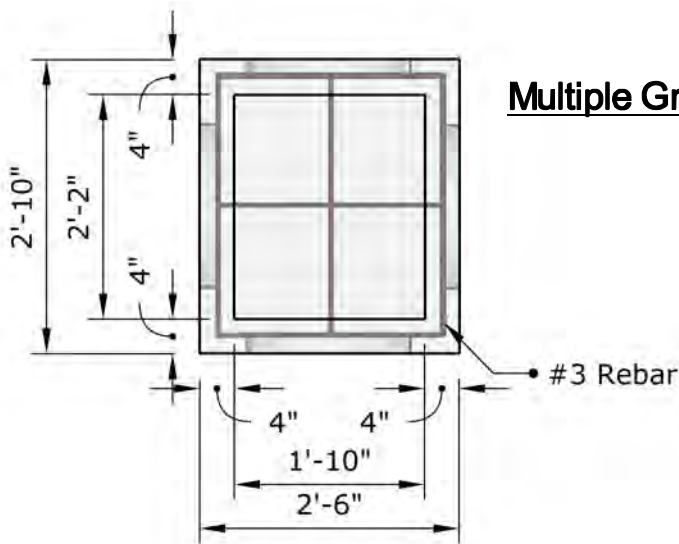


DWG:	CB-T1
DATE:	7/31/2019
SCALE:	NTS

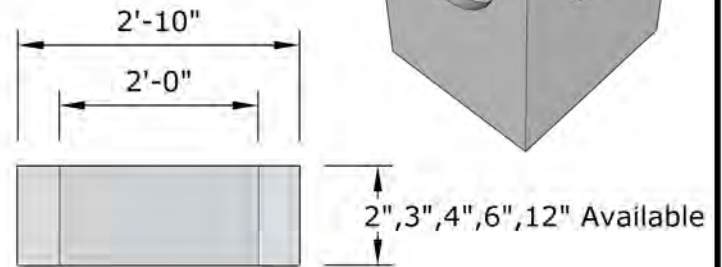
**CDA Redi Mix & Precast
Stateline Pit
6399 W. Bedrock Rd.
Post Falls, ID 83854
(208)762-0235**

Type 1 Catch Basin

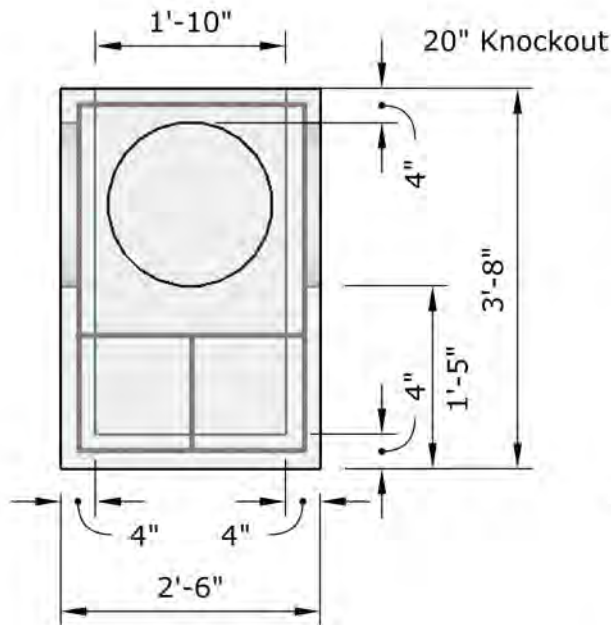
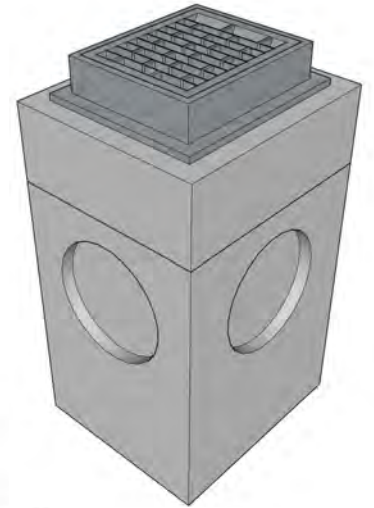
MANUFACTURED IN ACCORDANCE WITH ASTM C-913



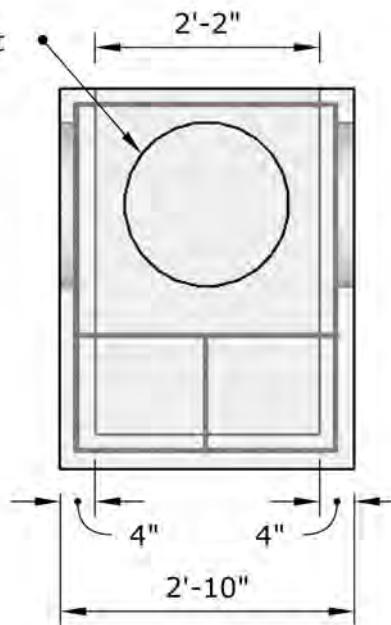
TOP



ADJUSTMENT RISER



FRONT



SIDE