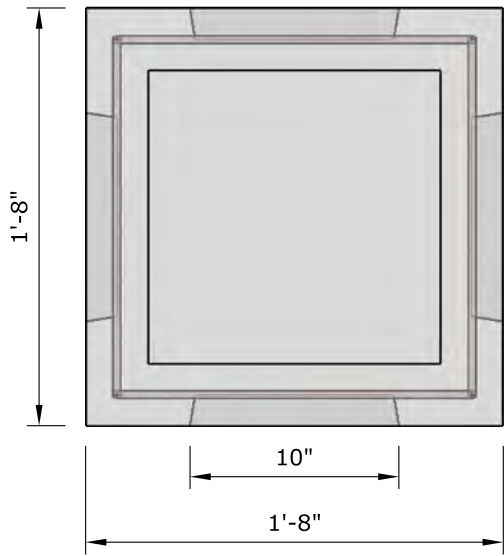




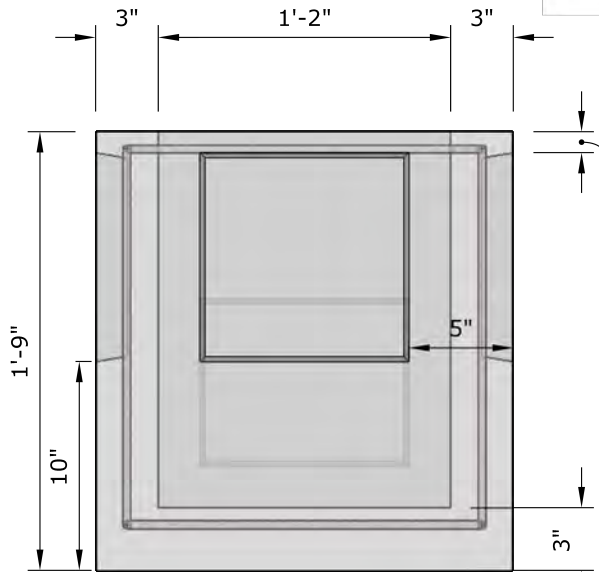
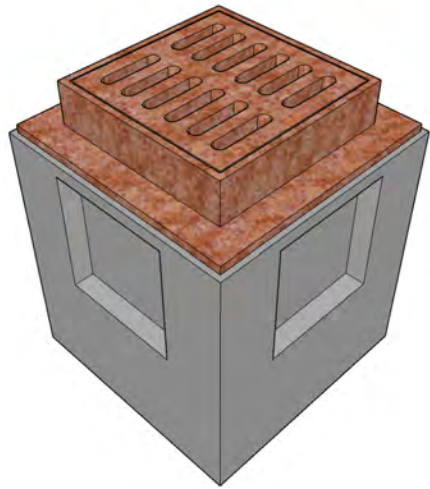
DWG:	CB-RES
DATE:	11/21/2019
SCALE:	NTS

**CDA Redi Mix and Precast
Stateline Pit
6399 W. Bedrock Rd.
Post Falls, ID 83854
(208)762-0235**

Residential Inlet - Catch Basin
 MANUFACTURED IN ACCORDANCE WITH ASTM C-913

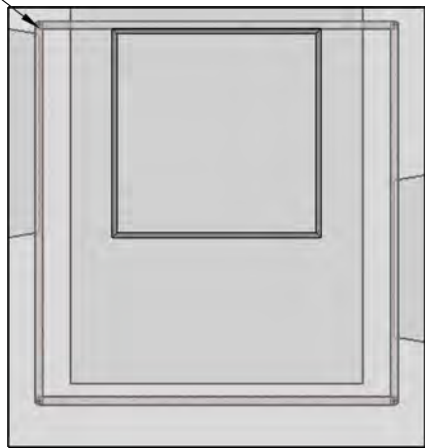


TOP



FRONT

#3 Rebar
 4 x Wall Knockouts



RIGHT