

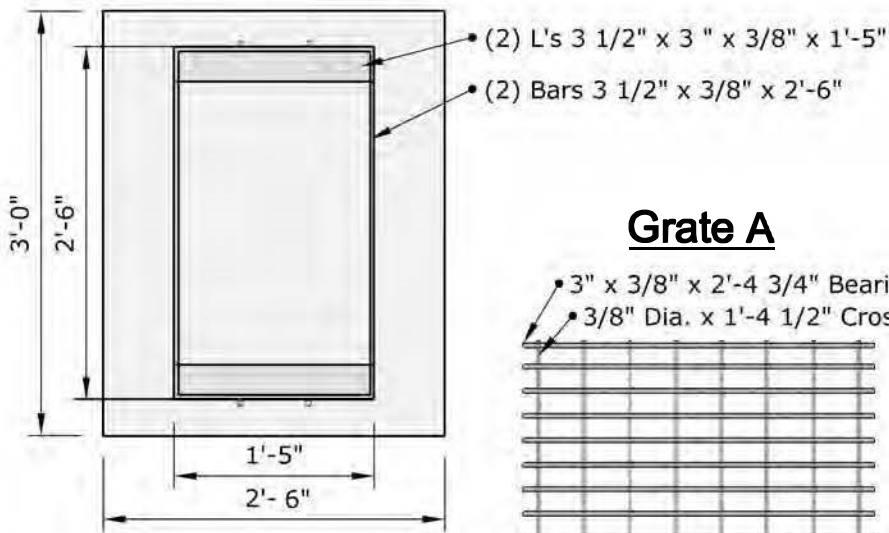


DWG:	ITD-Type-3-CB
DATE:	7/30/2019
SCALE:	NTS

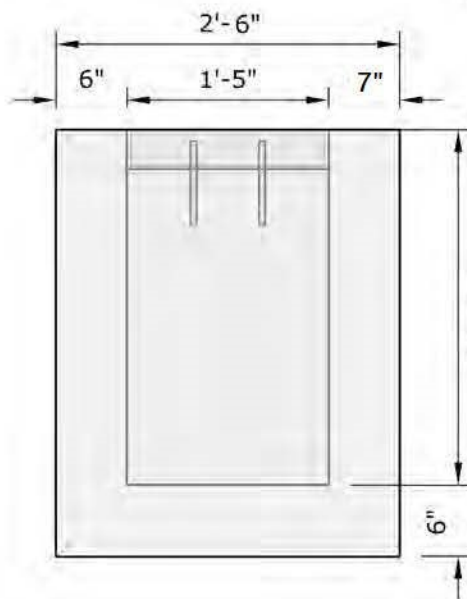
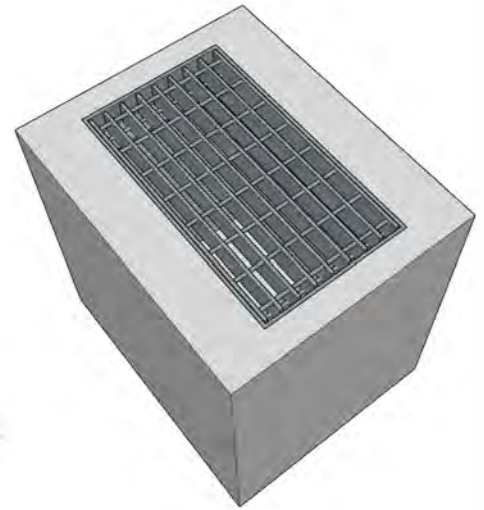
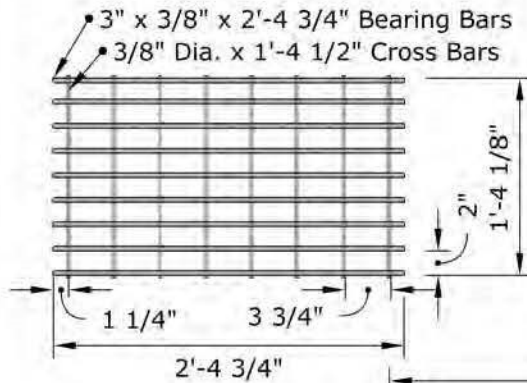
**CDA Redi Mix & Precast
Stateline Pit
6399 W. Bedrock Rd.
Post Falls, ID 83854
(208)762-0235**

ITD Type 3 Inlet/Catch Basin

MANUFACTURED IN ACCORDANCE WITH ASTM C-913

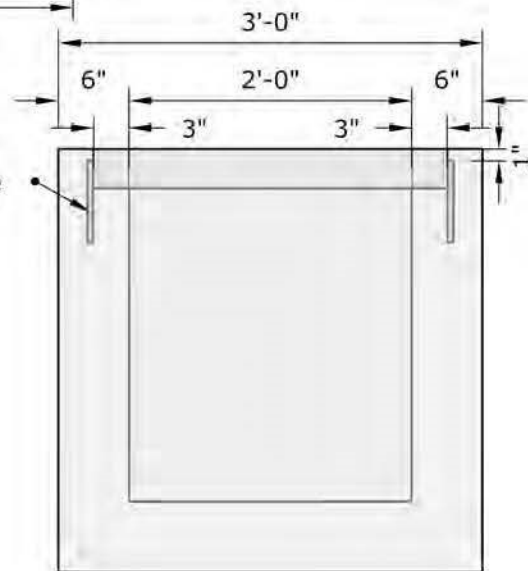


Grate A



Front

2 7" Bars Each Side



Side