

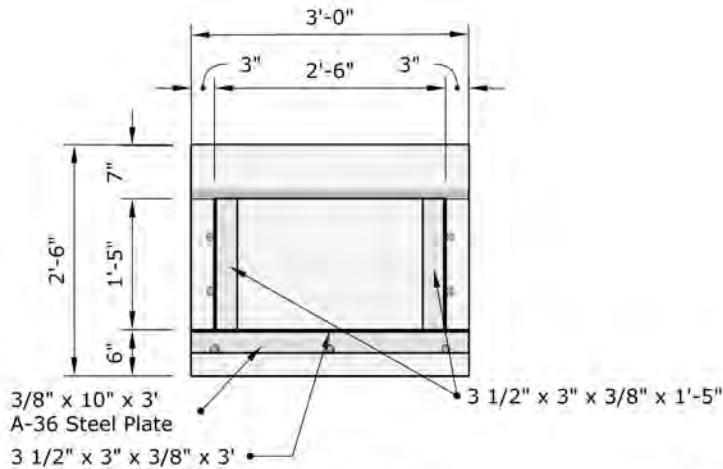


DWG:	ITD-T1-CB
DATE:	7/19/2019
SCALE:	NTS

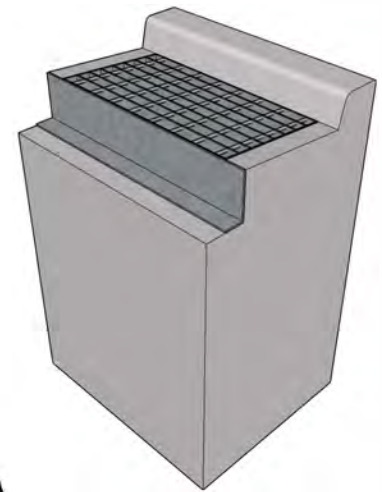
**CDA Redi Mix & Precast
Stateline Pit**
 6399 W. Bedrock Rd.
 Post Falls, ID 83854
 (208)762-0235

Catch Basin - ITD Type 1

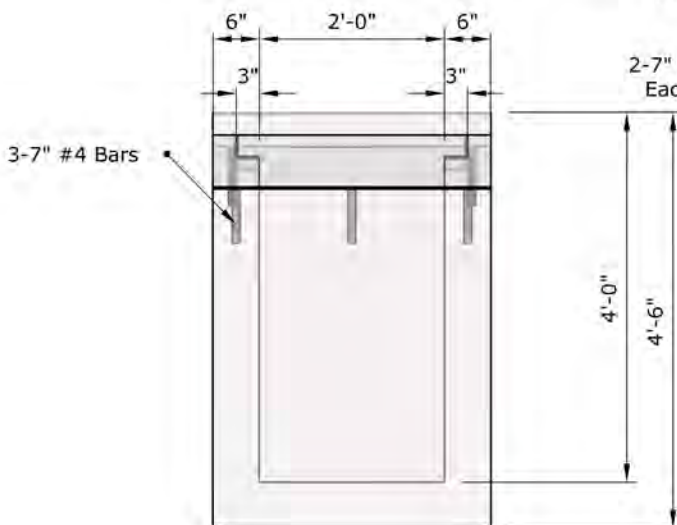
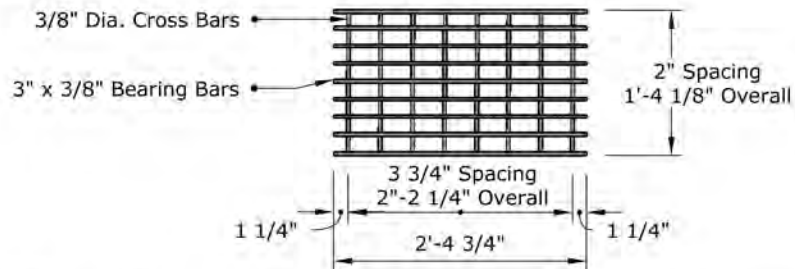
MANUFACTURED IN ACCORDANCE WITH ASTM C-913



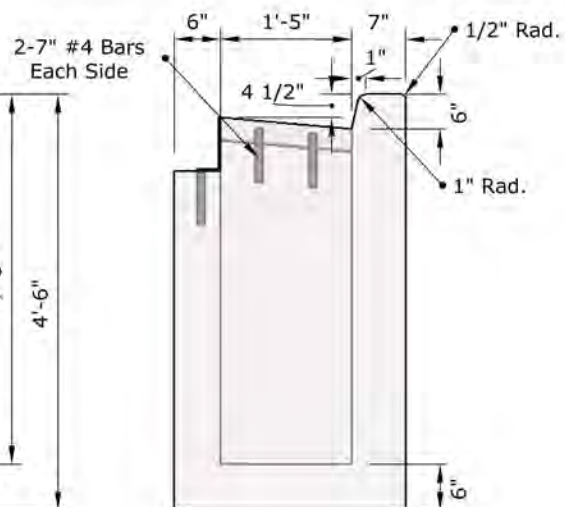
TOP VIEW



Grate Option: Type A
 Type B Also Available



Front View



Side View