

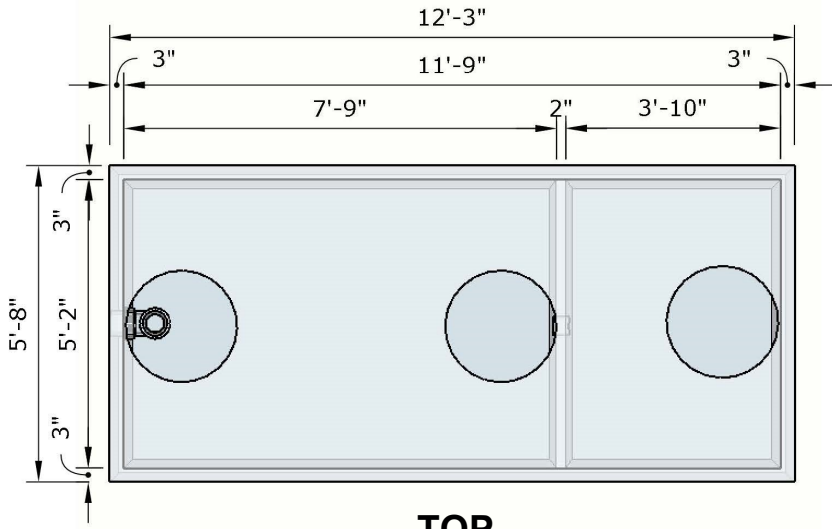


| | |
|--------|------------------|
| DWG: | DZ-1500 ADVANTEX |
| DATE: | 12/26/2019 |
| SCALE: | NTS |

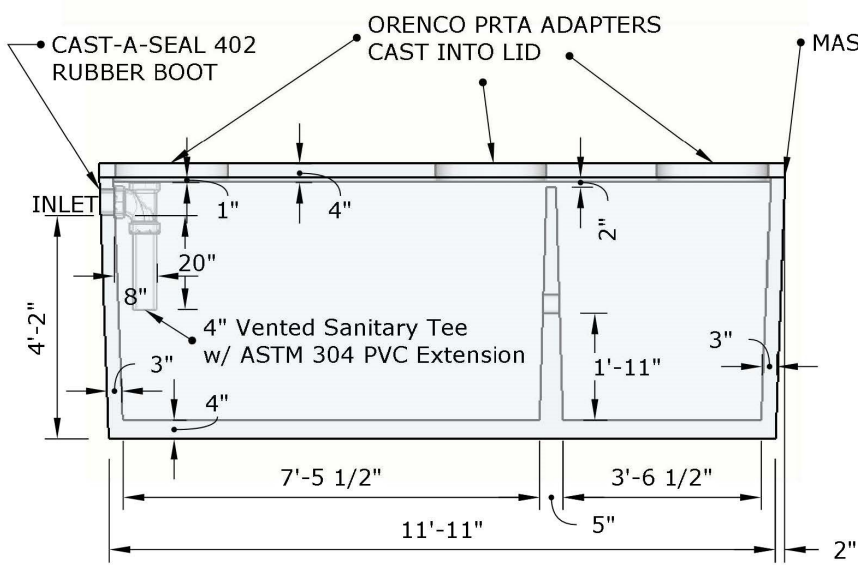
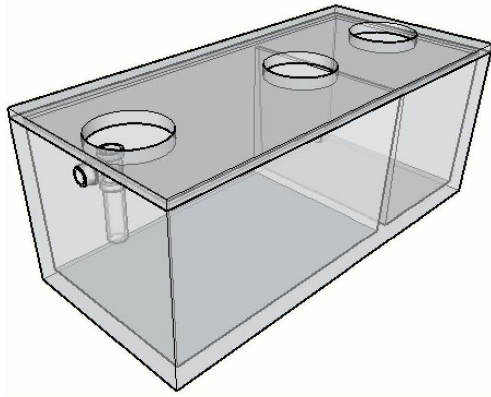
CDA Redi Mix and Precast
 6399 W. Bedrock Rd.
 Post Falls, ID 83854
 (208)762-0235

1500 Gal. 2 Compartment ADVANTEX Septic Tank

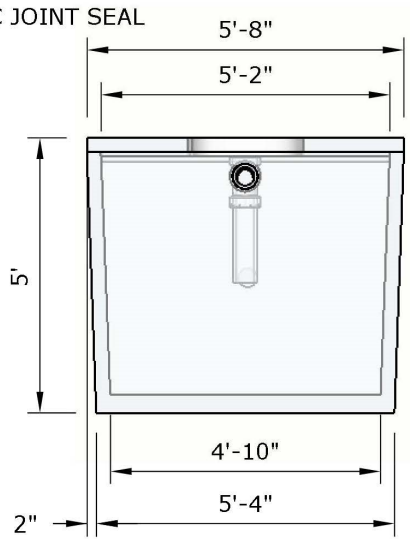
MANUFACTURED IN ACCORDANCE WITH ASTM C-913



TOP



FRONT



SIDE

NOTE: All tanks designed with a maximum bury depth of 3 feet of cover.