

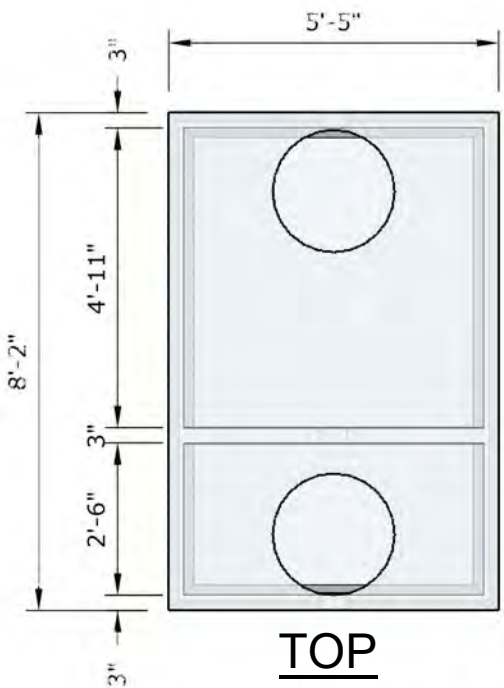


DWG:	1000GAL-OW-SEP
DATE:	12/23/2019
SCALE:	NTS

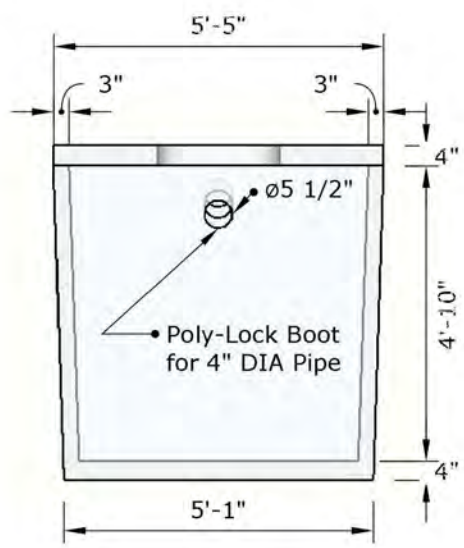
CDA Redi Mix and Precast
 6399 W. Bedrock Rd.
 Post Falls, ID 83854
 (208)762-0235

1000 Gallon Oil - Water Separator

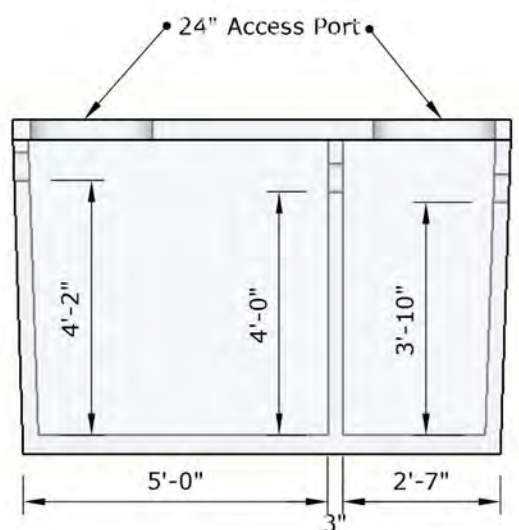
MANUFACTURED IN ACCORDANCE WITH ASTM C-913



TOP



FRONT



SIDE