

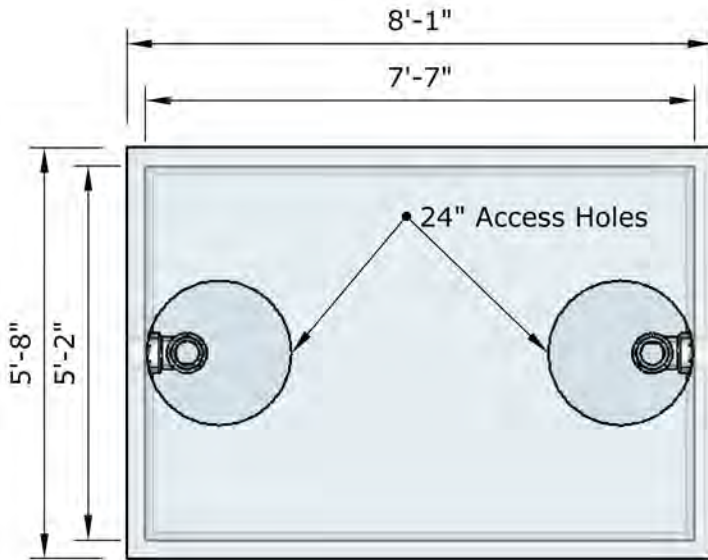


DWG:	DZ-1000
DATE:	8/2/2019
SCALE:	NTS

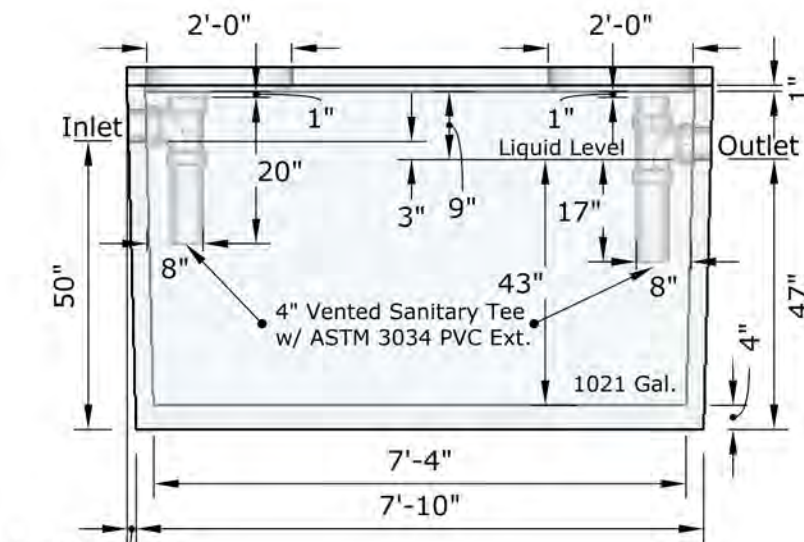
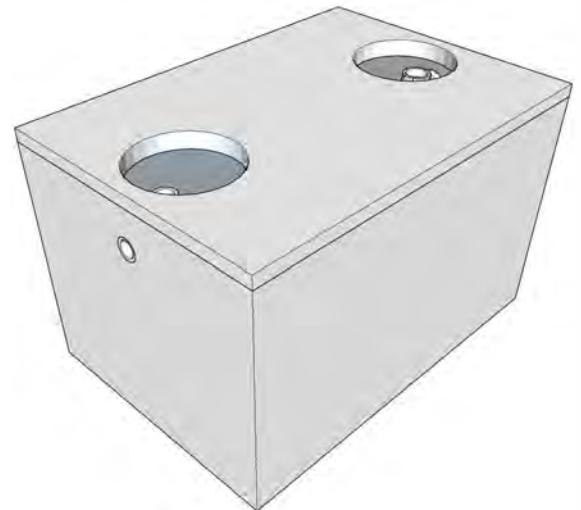
CDA Redi Mix & Precast
 Stateline Pit
 6399 W. Bedrock Rd.
 Post Falls, ID 83854
 (208)762-0235

1000 Gallon Septic Tank - 1 Piece

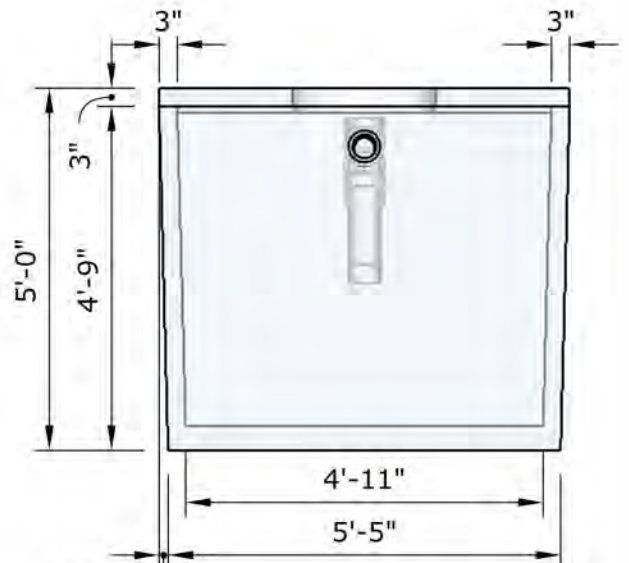
MANUFACTURED IN ACCORDANCE WITH ASTM C-913



TOP



FRONT



SIDE

1 1/2"

1 1/2"