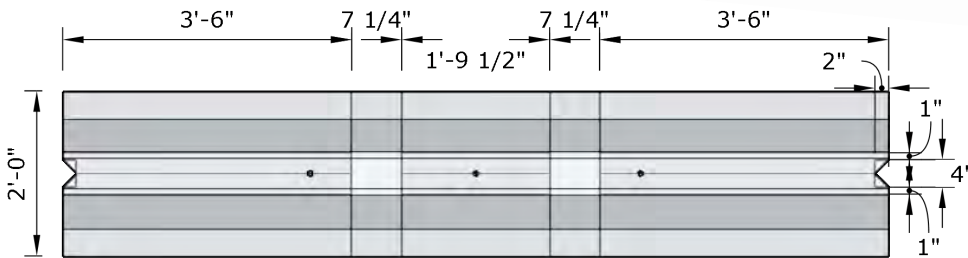
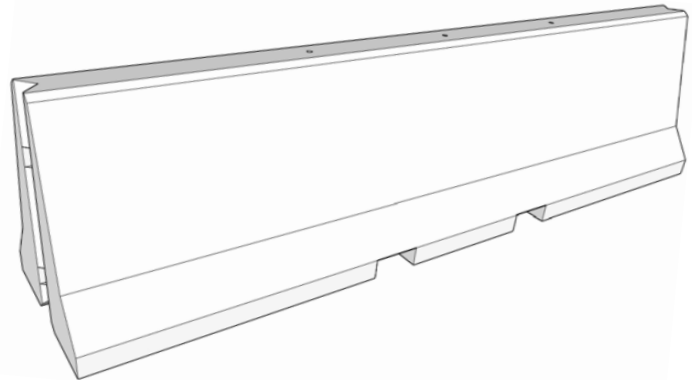




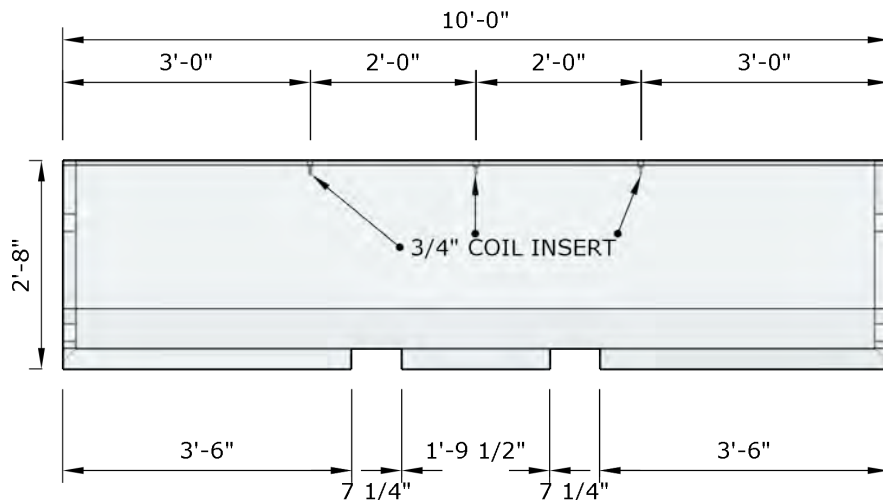
DWG:	10' JERSEY-BARRIER
DATE:	10/27/2019
SCALE:	NTS

CDA Redi Mix and Precast
 6399 W. Bedrock Rd.
 Post Falls, ID 83854
 (208)762-0235

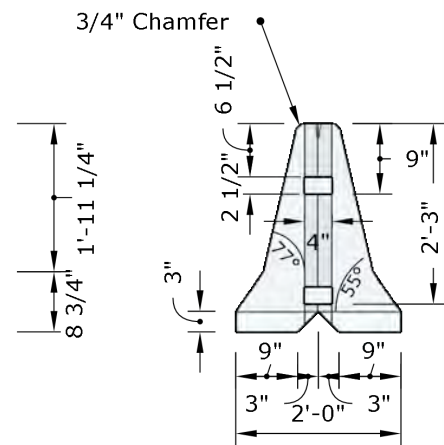
10' Jersey Barrier



TOP



FRONT



SIDE