

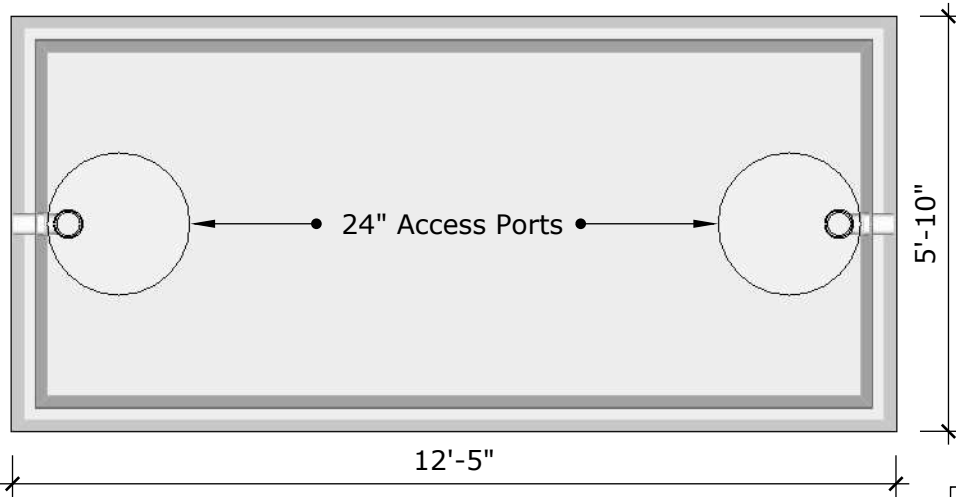


DWG:	1500-HS20
DATE:	August 12, 2021
SCALE:	NTS

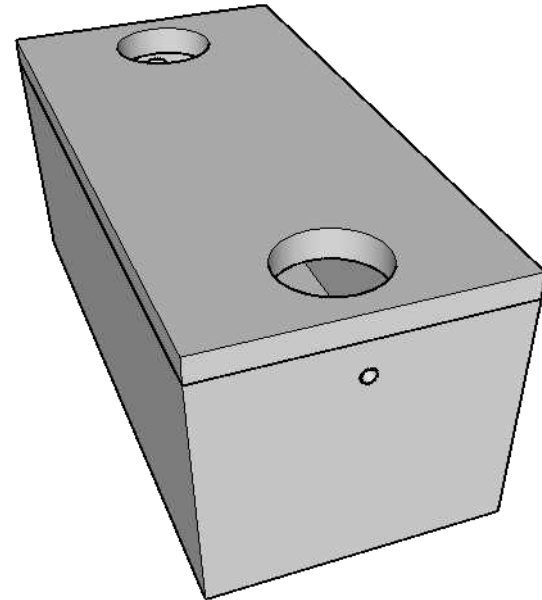
CDA Redi Mix and Precast
6399 W. Bedrock Rd.
Post Falls, ID 83854
(208)762-0235

1,500 Gallon HS-20 Traffic Rated Septic Tank

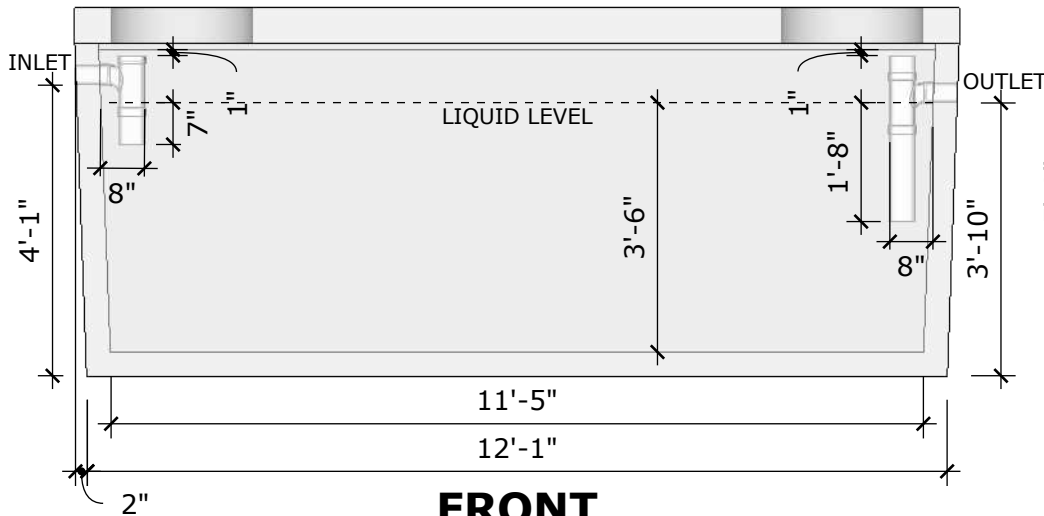
MANUFACTURED IN ACCORDANCE WITH ASTM C-913



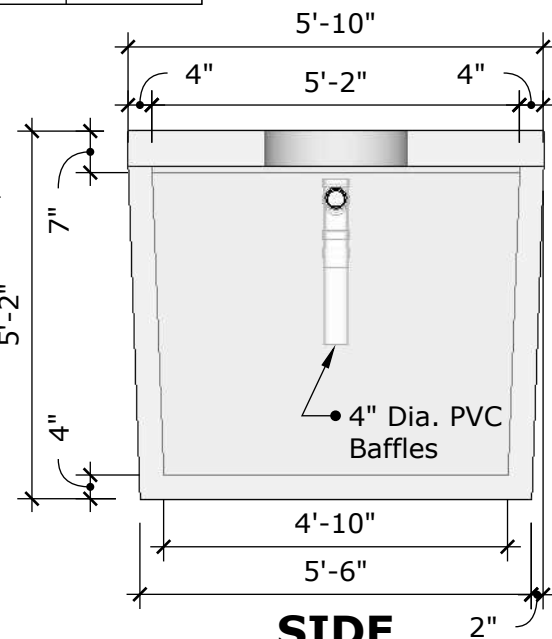
TOP



ITEM	WEIGHT
LID	5282#
TANK	10260#



FRONT



SIDE

NOTE: Tank rated for 6' of maximum bury with HS-20 traffic rating. Available with 5" thick non-traffic lid.