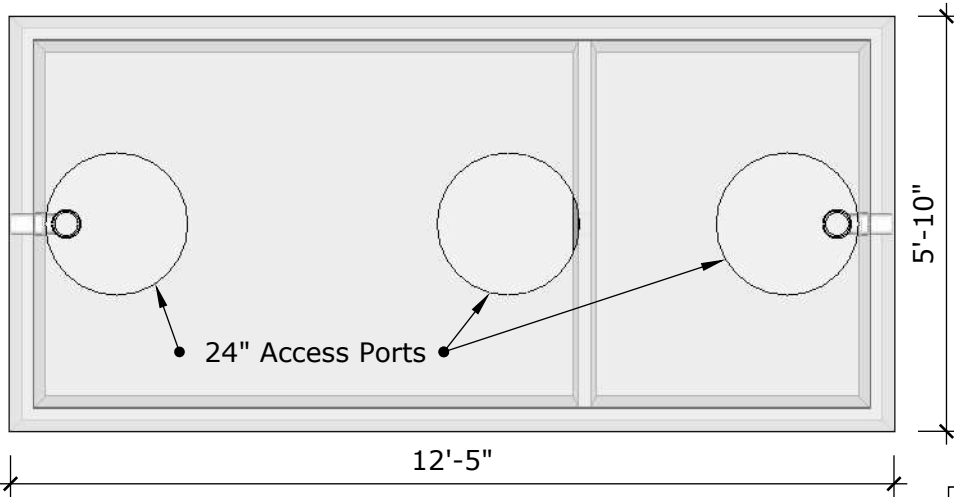




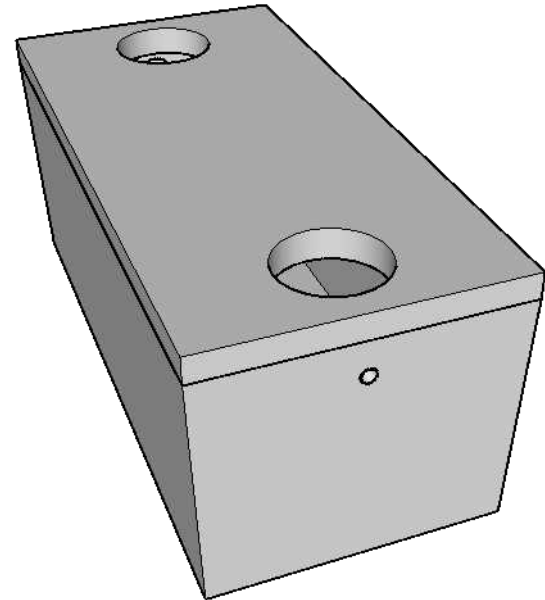
DWG:	1000-P-HS20
DATE:	August 12, 2021
SCALE:	NTS

**CDA Redi Mix and Precast**  
**6399 W. Bedrock Rd.**  
**Post Falls, ID 83854**  
**(208)762-0235**

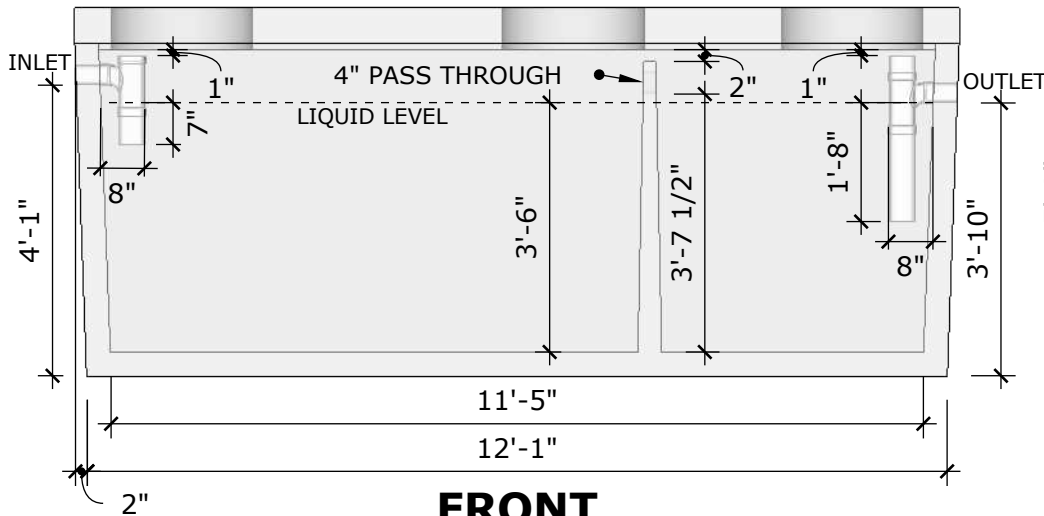
**1,000gal w/ 500gal Pump Chamber HS-20 Traffic Rated Septic Tank**  
 MANUFACTURED IN ACCORDANCE WITH ASTM C-913



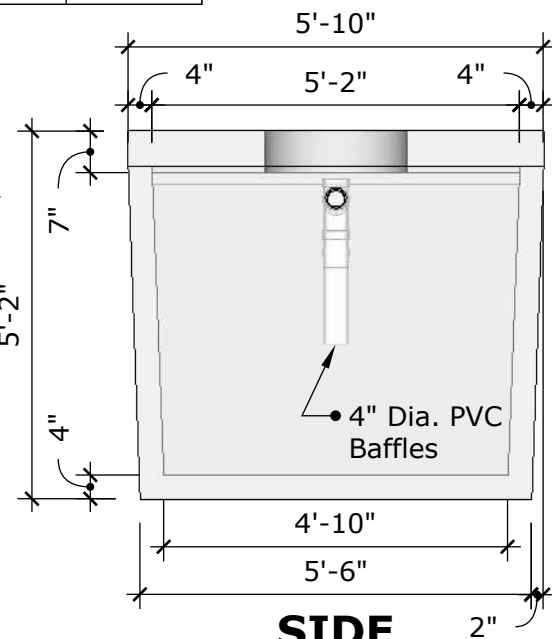
**TOP**



ITEM	WEIGHT
LID	5054#
TANK	10982#



**FRONT**



**SIDE**

**NOTE: Tank rated for 6' of maximum bury with HS-20 traffic rating.**  
**Available with 5" thick non-traffic lid.**