

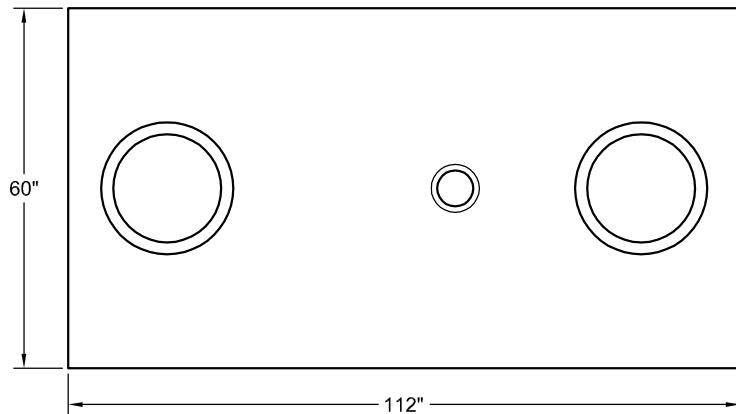


DWG:	S-1000-P
DATE:	3/1/2019
SCALE:	APPROX 3/8" = 1'

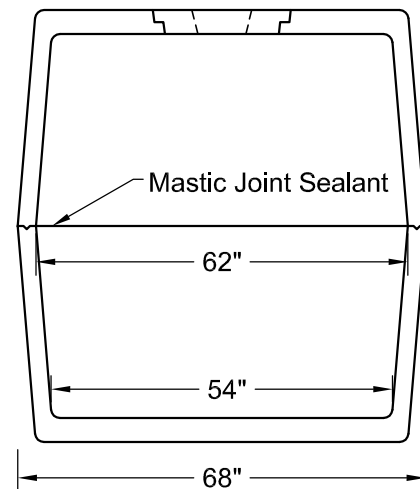
CDA Redi-Mix and Precast  
 6399 W. Bedrock Rd.  
 Post Falls, ID 83854  
 (208)762-0235

## 1000 Gal. Septic Tank with 500 Gal. Pump Chamber (11,100 lbs.)

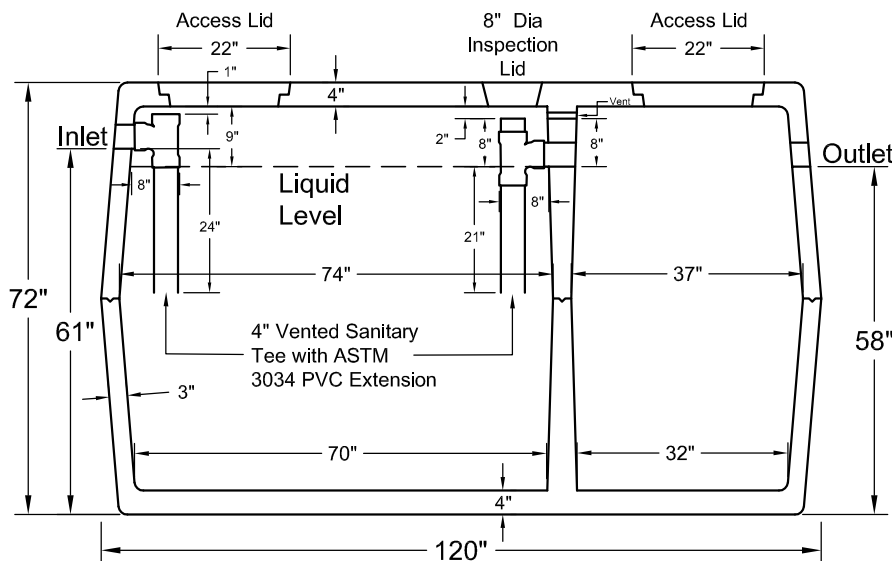
CONSTRUCTED IN ACCORDANCE WITH ASTM C 1227



**Plan View**



**End View**



**Side View**

**Note:** Additional inlet holes provided on either side.