

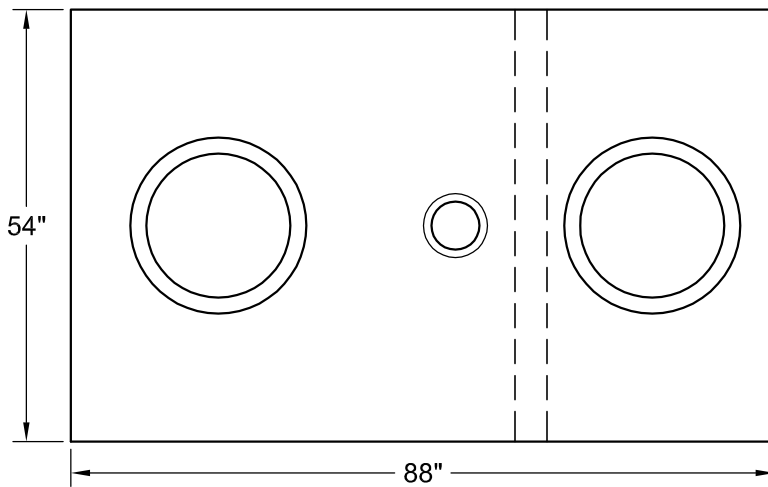


DWG:	S-1000-2
DATE:	3/1/2019
SCALE:	APPROX 1/2" = 1'

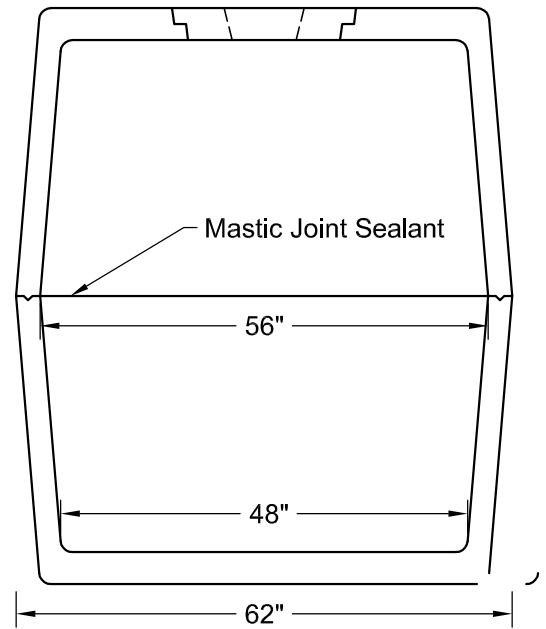
CDA Redi-Mix and Precast
 6399 W. Bedrock Rd.
 Post Falls, ID 83854
 (208)762-0235

1000 Gal. 2 Compartment Tank (8,500 lbs.)

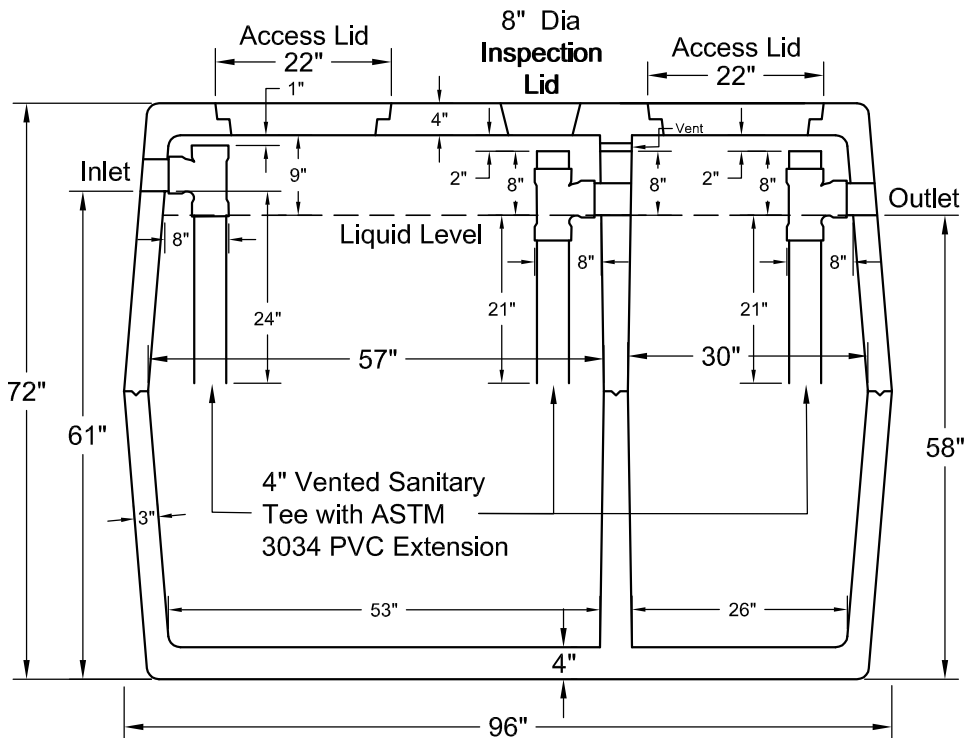
CONSTRUCTED IN ACCORDANCE WITH ASTM C 1227



Plan View



End View



Side View

Note: Additional inlet and outlet holes available on either side.